

# Mikuni VM33 Smoothbore Exploded View

HSR

RS

VM29  
&33

TM

TMX

VM

JET  
NEEDLES

NEEDLE  
JETS

JETS

THROTTLE  
VALVES

INTAKE CARB  
HOLDERS

FUEL PUMPS

OFF-ROAD  
CARB KITS

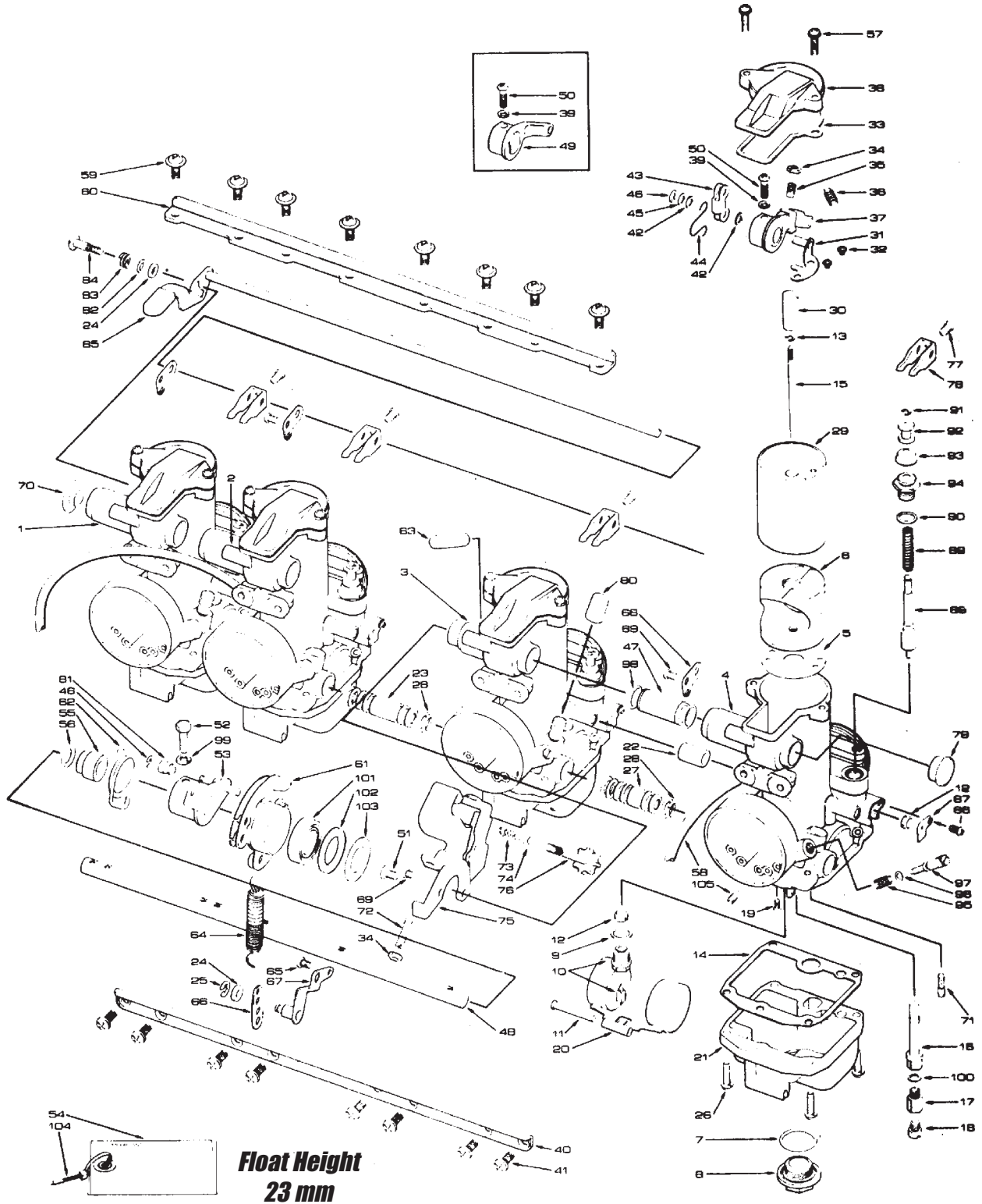
STREET  
CARB KITS

PINGEL FUEL  
VALVES

PETCOCK  
REPAIR KITS

CARB  
ACCESSORIES

NEEDLE VALVES  
ASSEMBLIES



**Note:** Velocity stacks for RS can be used on VM33. - See pg. 34 for part numbers.

# Mikuni VM33 Smoothbore Parts

HSR

\*Please note : The following is for parts reference only. This Mikuni carb is no longer in production.

No.	Order No.	Mikuni Part No.	Description
1.	—	VM33SS101/01b	Mixing Body
2.	—	VM33SS101/01c	Mixing Body
3.	—	VM33SS102/01c	Mixing Body
4.	—	VM33SS103/01b	Mixing Body
5.	<b>002-600</b>	VM33/31	Gasket
6.	—	VM33/20	Jet Block
7.	<b>002-602</b>	BNO42/64	O-Ring
8.	<b>002-603</b>	VM33/77	Drain Plug
9.	<b>002-187</b>	B34/52-0.5	Washer, Needle Valve
10.	See Chart Below	N122.032	Assembly, Needle Valve
11.	<b>002-605</b>	VM30/160	Float Pin
12.	<b>002-606</b>	VM18/233	Filter Screen
13.	<b>002-083</b>	VM20/369	E-Ring
14.	<b>002-607</b>	VM30/257	Gasket, Float Chamber
15.	<b>002-340</b>	J8-6DJ30	Jet Needle
16.	<b>003-536</b>	261 O-8	Needle Jet
17.	<b>002-608</b>	697-05001a	MJ Extender
18.	<b>Pg. 65</b>	N100/604	Main Jet
19.	<b>002-609</b>	C6=0307	Screw
20.	<b>002-501</b>	VM26/260	Float Assembly
21.	—	VM29/20-100	Float Chamber Body
22.	<b>002-611</b>	888-360003a	Hose, Air Vent
23.	<b>002-612</b>	792-20008	Fuel Nipple
24.	—	VM28/268	Washer
25.	<b>002-614</b>	BN38/135	E-Ring
26.	<b>002-615</b>	CW2=0416-B	Screw w/ Lock Washer
27.	—	792-20007	Fuel Nipple
28.	<b>002-617</b>	BV30/40	O-Ring
29.	<b>003-198A</b>	832-39003 1.5	Throttle Valve
	<b>003-198</b>	832-39003 2.0	Throttle Valve
	<b>003-198B</b>	832-39003 2.5	Throttle Valve
30.	—	VM33/60	Bushing Collar
31.	<b>002-619</b>	VM33/71	Bracket Assembly
32.	<b>002-527</b>	CW2=0305	Screw w/ Lock Washer
33.	<b>002-620</b>	VM33/32	Gasket, Top Cover
34.	<b>002-621</b>	N138.050	Adjuster Nut
35.	—	VM33/21	Adjuster Screw
36.	<b>002-623</b>	730-06005	Screw
37.	<b>002-624</b>	VM33/64	Lever Assembly
38.	<b>002-625</b>	776-39001	Top Cover
39.	—	W4-04-0	Lock Washer
40.	<b>002-627</b>	VM33/75	Bracket Plate, Front
41.	<b>002-628</b>	C2-0512-B	Screw
42.	<b>002-628</b>	B401/10	Washer (Polyester)
43.	<b>002-630</b>	VM33/45	Plate, Connecting
44.	<b>002-631</b>	VM33/49	Spring
45.	<b>002-632</b>	M10/56	Washer
46.	<b>002-355</b>	BSW28/70	E-Ring
47.	<b>002-633</b>	813-28001	Collar Pipe
48.	—	700-17003a	Shaft
49.	—	VM33/52a	Lever Assembly
50.	<b>002-636</b>	VM33/73	Screw
51.	<b>002-637</b>	C5-0510	Screw
52.	<b>002-519</b>	VM28/230	Bolt

## Needle Valve Assembly

Order No.	Mikuni No.	Size
<b>002-503</b>	N122.032	2.5
<b>002-504</b>		2.8

## Standard Jetting Specifications VM29

Motorcycle	Carb Model	Main Jet	Air Jet	Pilot Jet	Jet Needle	Needle Jet	Throttle Valve	Air Screw
Honda CB900/1100	VM33-A4	125	.7	30	6DJ30-2	261 O-8	1.5	1.0 Out
Kawasaki KZ1000/1100	VM33-A14	127.5	1.2	17.5	6DJ30-4	261 O-6	1.5	3/4 Out
Suzuki GS1000/1100	VM33-A14	132.5	.6	17.5	6DJ30-4	261 O-6	2.0	3/4 Out
Yamaha XS1100	VM33-A19/D45	132.5	.9	17.5	6DJ30-4	261 O-6	2.0	3/4 Out
Kawasaki ZX900, 1000 Ninja	VM33-A19/D45	125	.9	20	6DJ30-4	261 P-0	2.0	3/4 Out

WEB: [WWW.SUDCO.COM](http://WWW.SUDCO.COM)

E-MAIL: [SUDCO@SUDCO.COM](mailto:SUDCO@SUDCO.COM)

No.	Order No.	Mikuni Part No.	Description
53.	—	VM33/26	Lever Assembly
54.	—	VM33/78	Name Plate
55.	<b>002-639</b>	VM33/68a	Collar
56.	<b>002-640</b>	VM28/403	Seal, Felt
57.	<b>002-615</b>	CW2=0416B	Screw w/ Lock Washer
58.	<b>002-641</b>	N149.030	Hose, Air Vent
59.	<b>002-642</b>	N138.186	Screw
60.	<b>002-643</b>	VM33/67	Bracket Plate, Rear
61.	—		Bell Crank Assembly
62.	—	VM33/35	Spring
63.	<b>002-646</b>	N148.013	Vacuum Cap
64.	<b>002-647</b>	VM22/349	Throttle Return
65.	<b>002-648</b>	C2-0508-B	Screw
66.	<b>002-649</b>	VM33/34	Adjuster Plate
67.	—	VM33/23	Bracket
68.	—	VM33/58	Choke Shaft Plate
69.	<b>002-652</b>	C2-0408-B	Screw
70.	<b>002-653</b>	VM33/63	Cap, Side
71.	<b>Pg. 65</b>	VM22/210	Pilot Jet
72.	<b>002-654</b>	N138.049a	Adjuster Screw
73.	<b>002-655</b>	N110.209	Spring
74.	—	N141.217	Washer
75.	—	VM33/43	Main Bracket
76.	—	603-25001a	Adjuster Screw
77.	<b>002-659</b>	N158.052	Screw
78.	<b>002-660</b>	VM26/435	Lever
79.	<b>002-661</b>	VM33/70	Cap Side
80.	<b>002-662</b>	VM33/72	Fuel Cap
81.	—	VM24/532	Ring
82.	<b>002-664</b>	VM28/449	Washer
83.	<b>002-665</b>	VM28/293	Spring
84.	—	VM28/269	Screw
85.	—	VM33/56a	Choke Shaft Assembly
86.	<b>002-668</b>	C2-0306-B	Screw
87.	—	VM33/59	Side Plate
88.	<b>002-670</b>	VM34/510	Starter Plunger
89.	<b>002-671</b>	VM16/42a	Plunger Spring
90.	<b>002-672</b>	VM18/249	O-Ring
91.	—	KP/13	E-Ring
92.	—	VM28/450	Ring
93.	<b>002-084</b>	VM20/455	Rubber Cap
94.	—	VM38/359	Guide Holder
95.	<b>002-181</b>	M12F/46a	Spring
96.	<b>002-676</b>	VM14/75	O-Ring
97.	<b>002-677</b>	VM26/287	Air Screw
98.	—	OS/05b	O-Ring
99.	—	W4-05	Lock Washer
100.	<b>002-680</b>	BV23/196	Washer
101.	—	VM33/61	Bearing
102.	—	VM33/37	Seal, Felt
103.	<b>002-683</b>	946-17001	Washer
105.	<b>Pg. 65</b>	BS30/97	Air Jet
106.	<b>002-684</b>	VM33/82	Restrictor

## Throttle Valves

Order No.	Mikuni No	Cutaway
<b>003-198A</b>	832-39003	1.5
<b>003-198</b>		2.0
<b>003-198B</b>		2.5

RS

**VM29  
&33**

TM

TMX

VM

**JET  
NEEDLES**
**NEEDLE  
JETS**

JETS

**THROTTLE  
VALVES**
**INTAKE CARB  
HOLDERS**
**FUEL PUMPS**
**OFF-ROAD  
CARB KITS**
**STREET  
CARB KITS**
**PINGEL FUEL  
VALVES**
**PETCOCK  
REPAIR KITS**
**CARB  
ACCESSORIES**
**NEEDLE VALVES  
ASSEMBLIES**